

# SIRENA

## LED FLOODLIGHT

- Zone 1, 2, 21, 22
- Mechanical strength
- Reliability over time
- Instant, bright illumination

*Painted aluminium  
body and cover*

*Tempered glass*



*Mounting bracket*

*Ex e terminal board  
housing form fast connection*



## SİRENA Series Led Floodlights

SİRENA series floodlights with LED technology combine lightweight, compact design, high performance in terms of reliability, safety, efficiency and energy saving. They are characterized by LEDs with optics "square shaped beam" that permits a light distribution and a perfectly uniform lighting in every direction. This photometry makes them particularly suitable for installation in the perimeter areas or wall in all those areas defined as dangerous for the presence of gas, explosive dust, such as Zone 1, 2, 21, 22. The finned body of the floodlight acts as a heat sink for the LED plate, allowing the installation of greater light output without incurring the deterioration of the LEDs. Due to their high luminous output and to a white light with a colour rendering index greater than 70, SİRENA series floodlights are able to replace the traditional rectangular floodlights that use discharge lamps sodium vapour or metal halide, guaranteeing lighting quality and visual comfort.

### Application sectors:



### CERTIFICATION DATA

Classification	Group II	Category 2GD		
Installation Marking:	zone 1 - zone 2 (Gas)	zone 21 - zone 22 (Polvo)		
Certification:	CE 0722 Ex II 2GD Ex de IIB+H <sub>2</sub> T5/T6 Gb - Ex tb IIIC T100°C T85°C Db IP66			
	TSE XX ATEX XXXX			
	2014/34/EU			
Standards:	EN 60079-0:2012+A11:2013		EN 60079-1:2014	
	CENELEC EN 60079-0: 2012, EN 60079-1: 2014, EN 60079-7: 2007, EN 60079-31: 2014 and EUROPEAN DIRECTIVE 2014/34/UE IEC 60079-0: 2011, IEC 60079-1: 2014-06, IEC 60079-28: 2015, IEC 60079-31: 2013, IEC 60079-7: 2015 European Directive 2006/95 Low voltage European Directive 2004/108 Electromagnetic compatibility European Directive 2003/108 WEEE Waste electrical and electronic equipment European Directive 2011/64 RoHS			
Class temperature:	100°C (T5)	85°C (T6)		
Ambient temperature:	-40°C +40°C (T6 / IIB) -20°C +40°C (T6 / IIB+H <sub>2</sub> )	-40°C +60°C (T5 / IIB) -20°C +60°C (T5 / IIB+H <sub>2</sub> )		
Degree of protection:	IP66			



This equipment can be used in an environment containing explosive atmosphere and with the presence of hydrogen.

## SIRENA Series LED Floodlights

### SIRENA-250



#### MECHANICAL FEATURES

ORIGINAL PRODUCT

Body:	Low copper content aluminium alloy fitted with cooling fins for better heat dissipation
Glass face:	Shock and temperature resistant tempered glass sealed with aluminium ring
Supporting bracket:	Galvanised steel
Gaskets:	Acid, hydrocarbon and high temperature resistant nbr oring
Bolts and screws:	Stainless steel
Entries:	8 x ISO M20 entries (SIRENA-250); (Floodlight kit with plug and cable gland)
Coating:	Polyester coating Ral 9016 (White)

#### Floodlight Optics



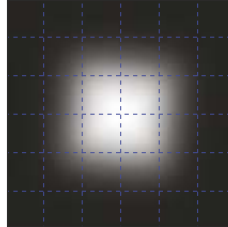
#### Description:

Each LED has a "square shaped beam" optics that allows to distribute the light on the floor in a perfectly uniform way. Furthermore, the light points can be optimized reducing the system costs. They are suitable for any indoor or outdoor application ensuring lighting of large areas and a homogeneous and symmetrical distribution of the light.

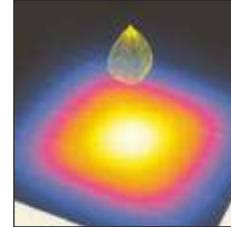
#### Features:

- Square shaped beam
- Precision Component
- High efficiency lighting
- Excellent luminous flux
- Made of polycarbonate with special coating treatment
- Vibration resistant
- Innovative design

Illuminance Map  
(in Gray Scale)



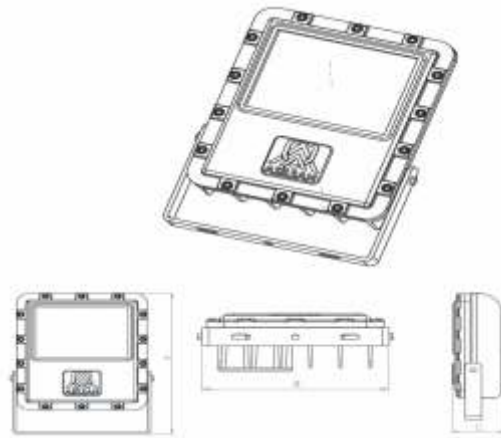
Illuminance Map  
(in False Color)



## SIRENA LED floodlights

Code	Dimensions mm				Watt	Class Ta =+60°C	Max surface temp °C	Weight Kg
	A	B	C	W				
SIRENA-250	435	360	160	135	122 W	T5	100	16

### DIMENSIONAL DRAWING

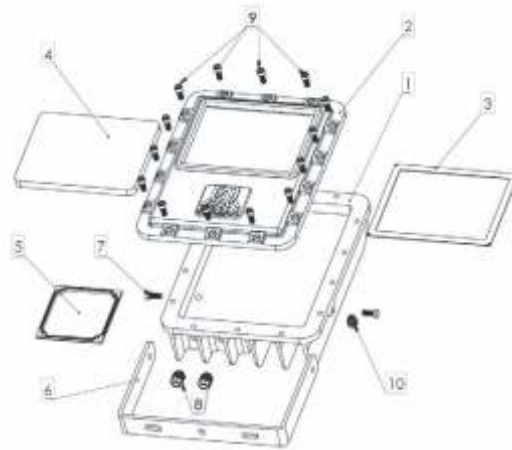


Dimensions in mm

### Descriptions:











- 1.Aluminum Body
- 2.Cover with tempered glass
- 3.Sheet Metal Frame
- 4.Tempered Glass
- 5.Consol Cover
- 6.Consol
- 7.Screw
- 8.Cable Gland
- 9.Screw
- 10.Cable Gland

### Floodlight rear

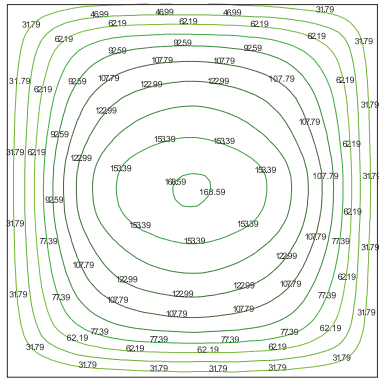


*SIRENA series Accessories and spare parts available on request*

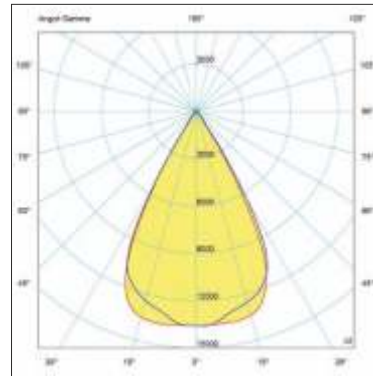


ILLUSTRATION	DESCRIPTION	MODEL	FEATURES	CODE	KEY
	Cable gland for non-armored cables		std. cable range 7 ÷ 1:	REV1B	
	Front ring with glass		Low copper content aluminium alloy with tempered glass	G250-0622	
	Supporting bracket		Material: galvanised steel	G-901	
	Optics		Material: polycarbonate	PIXEL12	
	Power supply		100-277 Vac	Leddev100	

## Photometric diagrams



**SIRENA-250** illuminance expressed in lux in a 5m x 5m room with floodlight placed perpendicular to height.



**SIRENA-250** Luminous flux: 12387 lm

## Electrostatic Powder Coating and NBR Oring



*Solvent-free, high surface quality, corrosion resistant and environmentally friendly electrostatic powder coating*



*-40 °C < 120°C up to heat resistant, 4 millimeter thick superior sealing provider*

# EVFT.X

series / serisi

## LIGHTING FIXTURES

Aydınlatma Armatürleri

### INSTALLATION / KULLANIM

Hazardous Areas, Zone: 1/2 (Gases) - 21/22 (Dusts)  
Tehlikeli Sahalar, Bölge: 1/2 (Gazlar) - 21/22 (Toz)

### CLASSIFICATION / SINIFLANDIRMA

Group II - Category 2G/2D  
Grup II - Kategori 2G/2D



EVFT.X

Ceiling Mounted

Tavan Tipi Montaj

Kapak Açıldığında armatür üzerindeki

! enerjisi kesen mekanik switch sistemi



### UYGULAMA

EVFT.X serisi floresan aydınlatma armatürleri Grup II tehlikeli açık ya da kapalı alanlarda kullanılmaktadır.

### APPLICATION

EVFT.X series fluorescent lighting fixtures are used in Group II hazardous areas at indoor or outdoor services.

### EVFX Series Lighting Fixtures

#### ATEX 2014/34/EU

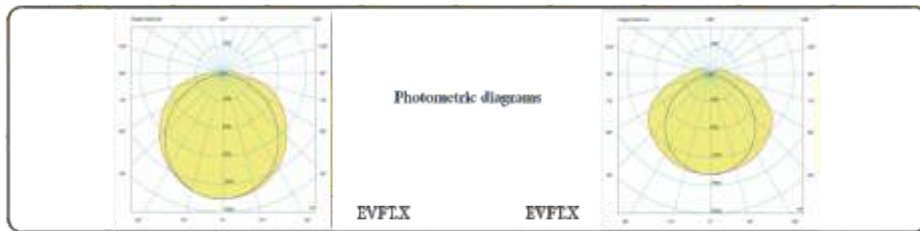
Execution/Sertifika Kodu	II 2 G Ex eb IIB T6 Gb IP66 -20°C ≤ Tamb ≤ +50°C
Installation/Kullanım Sahası	Zone 1/2- Zone 21/22
Protection Degree/Koruma Sınıfı	IP 66
Certificate Ref./Sertifika No	TSE 19ATEX0119 X
Rules of compl./ Uyum Kuralları	EN 60079-0:2012A+11:2013; EN 60079-7:2015

## Assembly

Figure 1



Mechanical Characteristics		Electrical Characteristics	
Body/Gövde	Aluminum/Alüminyum	Internal Wiring/Kablolar	High Temperature Resistant Silicon Cable/ Silikon Kablo
Painting/Boya	Epoxy powder/Elektrostatik Boya	Power Supply/Güç Kaynağı	Electronic Ballast/Elektronik Balast
Cable Entry/Kablo Giriş	2x1/2"	Screws/Çiviler	Stainless Steel / Paslanmaz Çelik

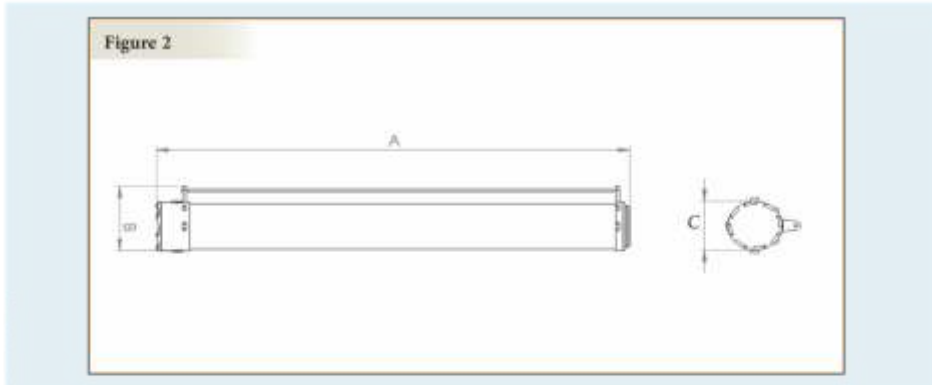




## TECHNICAL DATA

Kod CODE	Lamba LAMP	Gaslar için sıcaklık TEMP CLASS (GAS)	Tozlar için sıcaklık TEMP CLASS (DUST)	Horasan Dayı Tipi LAMPHOLDER	Kablo Giriş CABLE ENTRY SIZE
<b>TECHNICAL DATA</b>					
EVFL2x36	2X36 W	T5 T4	T 100 °C T 180 °C	T8	2X1/2"
EVFL2x18	2X18 W	T5 T4	T 100 °C T 180 °C	T8	2X1/2"
EVFL2x58	2X58W	T5 T4	T 100 °C T 180 °C	T8	2X1/2"

### Assembly



CODE/Kodu	A	B	C	WEIGHT/Ağırlık (K.G)	DETAIL/Detay
EVFL2X36	1300 mm	170 mm	135 mm	10 kg	Figure 3
EVFL2X18	650 mm	170 mm	135 mm	7 kg	Figure 3
EVFL2X58	1600 mm	170 mm	135 mm	12 kg	Figure 3

## SIGNALLING FIXTURES

Sinyal Armatürleri



### INSTALLATION / KULLANIM

Hazardous Areas, Zone: 1/2 (Gases) - 21/22 (Dusts)  
Tehlikeli Sahalar, Bölge: 1/2 (Gazlar) - 21/22 (Toz)

### CLASSIFICATION/ SINIFLANDIRMA

Group II - Category 2G/2D  
Grup II - Kategori 2G/2D

EVF.EX

Exit Lamp  
Exit Lambası



### UYGULAMA

EVF.EX serisi sinyal armatürleri Grup II tehlikeli açık ya da kapalı alanlarda kullanılmaktadır.

### APPLICATION

EVF.EX series signalling fixtures are used in Group II hazardous areas at indoor or outdoor services.

### ATEX 2014/34/EU

Execution/Sertifika Kodu:	II 2 G Ex eb IIB T6 Gb IP 66 -20°C ≤ Tamb ≤ +50°C
Installation/Kullanım Sahası:	Zone 1/2 - Zone 21/22
Protection Degree/Koruma Sınıfı:	IP 66
Certificate Ref./Sertifika No:	TSE 19ATEX0119 X
Rules of compl./Uyum Kuralları:	EN 60079-0:2012+A11:2013, EN 60079-7:2013

Mechanical Characteristics		Electrical Characteristics	
Gaskets/Kafile:	Nbr Rubber	Internal Wiring/Kablolar:	High Temperature Resistant Silicone Cable
Cable Entry/Kablo Girişi:	4x1/2" - 4x3/4" Threaded	Screws/Çiviler:	External Stainless Steel

## TECHNICAL DATA

### Assembly

Figure 1



Kod CODE	Lamba LAMP	Gaslar için sızdırlık: TEME CLASS (GAS)	Tozlar için sızdırlık: TEME CLASS (DUST)	Kablo Giriş CABLE ENTRY SIZE
EVEX	2x18 W	T5 T4	T 100 °C T 180 °C	2X1/2"

Figure 2



CODE/Kodu	A	B	C	WEIGHT/Ağırlık (kg)	DETAIL/Detail
EVEX	650 mm	170 mm	135 mm	7 kg	Figure 4

# EV.X

series/serisi

## LIGHTING FIXTURES

Aydınlatma Armatürleri

### INSTALLATION / KULLANIM

Hazardous Areas, Zone: 1/2 (Gases) - 21/22 (Dusts)  
Tehlikeli Sahalar, Bölge: 1/2 (Gazlar) - 21/22 (Toz)

### CLASSIFICATION/ SINIFLANDIRMA

Group II - Category 2G/2D  
Grup II - Kategori 2G/2D



## EV. X

Fanus Modeli Armatür



### UYGULAMA

EV.X serisi akkor ya da Kompakt Floresan ampullü (tasarruflu) aydınlatma armatürleri Grup II tehlikeli açık ya da kapalı alanlarda kullanılmaktadır.

### APPLICATION

EV.X series incandescent or compact fluorescent lighting fixtures are used in Group II hazardous areas at in door or out door services.

### EV .X Series Lighting Fixtures

ATEX 2014/34/EU

Execution/Sertifika Kodu	II 2G Ex d IIB T <sup>a</sup> Gb -20°C ≤ Tamb ≤ +40°C	
Installation/Kullanım Sahası	Zone 1/2 - Zone 21/22	
Watt Range/ Watt Aralığı	T <sup>a</sup> = T4 (250W-400W)	T <sup>a</sup> = T5 (100W-200W)
Certificate Ref./Sertifika No	TSE 19ATEX0133 X	
Rules of Compl./ Uyum Kuralları	EN 60079-0:2012+A11:2013, EN 60079-1:2014	

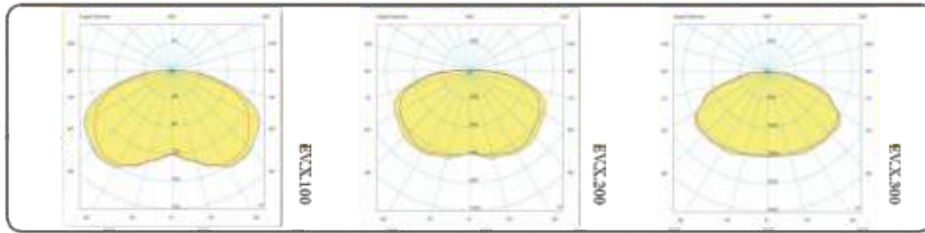
## Assembly

Figure 1



Mechanical Characteristics		Electrical Characteristics	
Gaskets	Nbr Rubber	Internal Wiring	High Temperature Resistant Silicon Cable
Cable Entry	3/4" Threaded	Screws	External Stainless Steel

Photometric diagrams

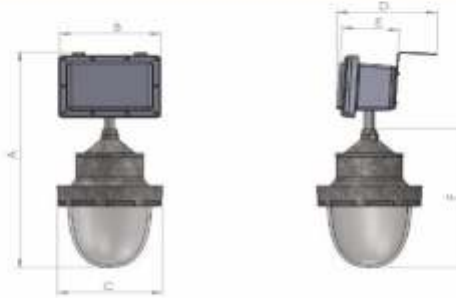


## TECHNICAL DATA

CODE	LAMP	TEMP CLASS (GAS)	TEMP CLASS (DUST)	LAMPHOLDER SIZE	CABLE ENTRY SIZE
<b>EV SERIES LIGHTING FIXTURES TECHNICAL DATA</b>					
EV.X.100	60W, 80W, 100W	T5	T 80 °C	E 27	3/4"
EV.X.200	160W, 200W,	T5	T 80 °C	E 27	3/4"
EV.X.250	250W	T4	T 80 °C	E 40	3/4"
EV.X.300	300W	T4	T 80 °C	E 40	3/4"

### Assembly

Figure 2



KODU	A (mm)	B (mm)	C (mm)	D (mm)	E (mm)	F (mm)
EV.X.100W	480	260,5	130	256	147	230
EV.X.200W	560	260,5	180	256	147	310
EV.X.250W	680	260,5	180	256	147	430
EV.X.400W	700	260,5	268,8	256	147	450

## KASIRGA LIGHTING FIXTURES

series/serisi

Aydınlatma Armatürleri



### INSTALLATION / KULLANIM

Hazardous Areas, Zones 2 (Gases) - 22 (Dusts)  
Tehlikeli Sahalar, Bölge: 2 (Gazlar) - 22 (Toz)

### CLASSIFICATION/ SINIFLANDIRMA

Group II - Category 3G/3D  
Grup II - Kategori 3G/3D

KASIRGA  
Polycarbonate Body  
Polikarbon Gövdeli



### UYGULAMA

KASIRGA serisi floresan aydınlatma armatürleri Grup II tehlikeli alana ya da kapalı alanlarda kullanılmaktadır. Sisteme dahil edilen switch sayesinde kapak açıldığında elektrik kesilir.

### APPLICATION

KASIRGA series fluorescent lighting fitting are used in Group II hazardous areas at indoor or outdoor services.

### KASIRGA Series Lighting Fixtures

#### ATEX 2014/34/EU

Execution/Sertifika Kodu	EX II 3G nA IIC T4 Gc -10 °C <sub>s</sub> Tamb ≤+55 ° II 3D tc IIC T85°C Dc, IP65
Installation/Kullanım Sahası	Zone 2 - Zone 22
Protection Degree/Koruma Sınıfı	IP 65
Certificate Ref./Sertifika No	TSE 19ATEX0123
Rules of compl./Uyum Kuralları	EN 60079-0:2012+A11:2013, EN 60079-15 : 2011, EN 60079-31:2014

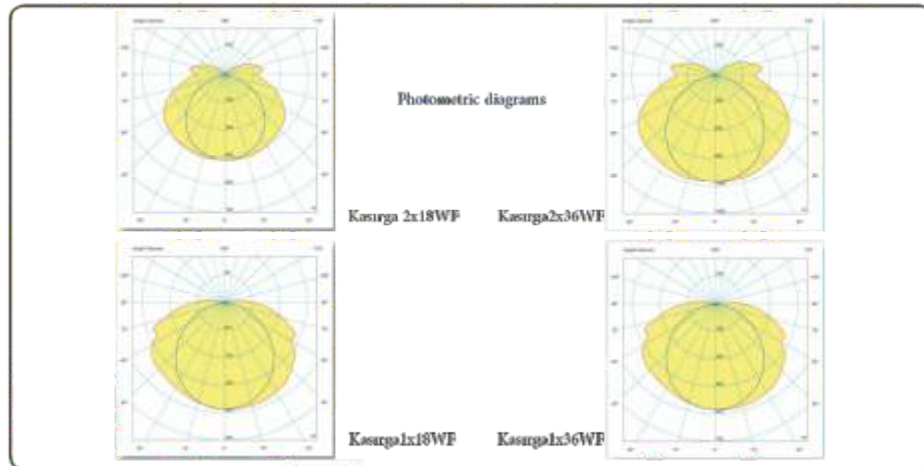


### Assembly

Figure 1



Mechanical Characteristics		Electrical Characteristics	
Body/Gövde	Polycarbonate/Polikarbon	Internal Wiring/Kablolar	High Temperature Resistant Silicon Cable/Silikon Kablo
Switch / Siviç	Button Switch / Mekanik Siviç	Power Supply/Güç Kaynağı	Electronic Ballast/Elektronik Balast
Cable Entry/ Kablo Giriş	2xM20	Screws/Çivata	Stainless Steel / Paslanmaz Çelik

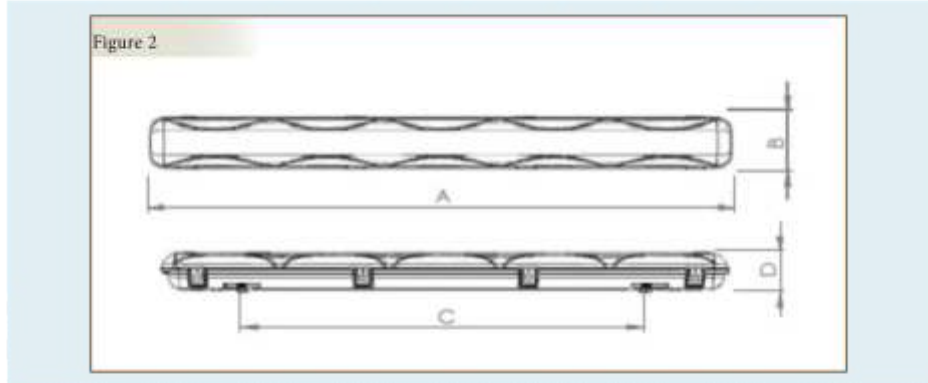




## TECHNICAL DATA

Kod CODE	Lamba LAMP	Gaslar için sınıf: TEMP CLASS (GAS)	Tozlar için sınıf: TEMP CLASS (DUST)	Horona Day Tipli LAMPHOLDER	Kablo Giriş CABLE ENTRY SIZE
<b>TECHNICAL DATA</b>					
Kasırga1x36WF	36 W	T5 T4	T 85 °C	TB	2xM20
Kasırga1x18WF	18 W	T3 T4	T 85 °C	TB	2xM20
Kasırga2x36WF	2x36 W	T3 T4	T 85 °C	TB	2xM20
Kasırga2x18WF	2x18 W	T3 T4	T 85 °C	TB	2xM20

Assembly



CODE/Kodu	A	B	C	D	WEIGHT/Ağırlık (K.G)	DETAIL/Detay
Kasırga1x36WF	1288 mm	118 mm	918 mm	82 mm	2.7 KG	Figure 2
Kasırga1x18WF	715 mm	118 mm	360 mm	82 mm	2.2 KG	Figure 2
Kasırga2x36WF	1288 mm	118 mm	918 mm	82 mm	3.1 KG	Figure 2
Kasırga2x18WF	715 mm	118 mm	360 mm	82 mm	2.4 KG	Figure 2

**EJB**  
series/serisi

## Distribution Board

Dağıtım Panoları

### INSTALLATION / KULLANIM

Hazardous Areas, Zone: 1/2 (Gases) - 21/22 (Dusts)  
Tehlikeli Sahalar, Bölge: 1/2 ( Gazlar) - 21/22 ( Toz)

### CLASSIFICATION/ SINIFLANDIRMA

Group II - Category 2G/2D  
Grup II - Kategori 2G/2D



**EJB.X**

Terminal Kutusu

Terminal Boxes



### UYGULAMA

EJB.X serisi terminal kutuları Grup II tehlikeli açık ya da kapalı alanlarda kullanılmaktadır.

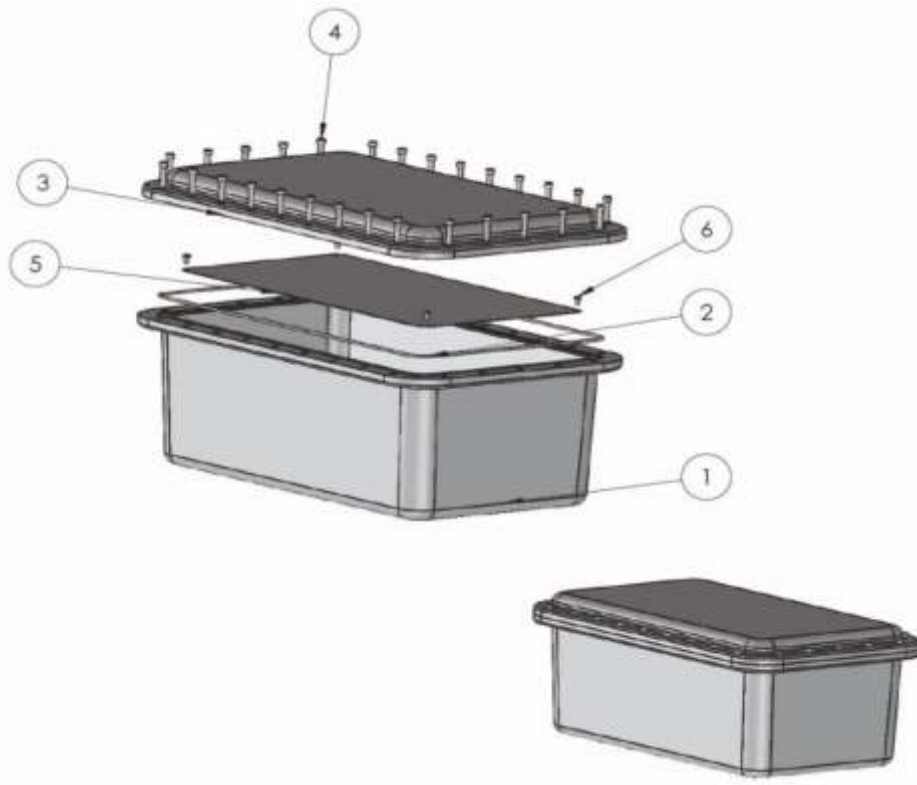
### APPLICATION

EJB.X series terminal boxes are used in Group II hazardous areas at indoor or outdoor services.

### EJB Series Boxes

#### ATEX 2014/34/EU

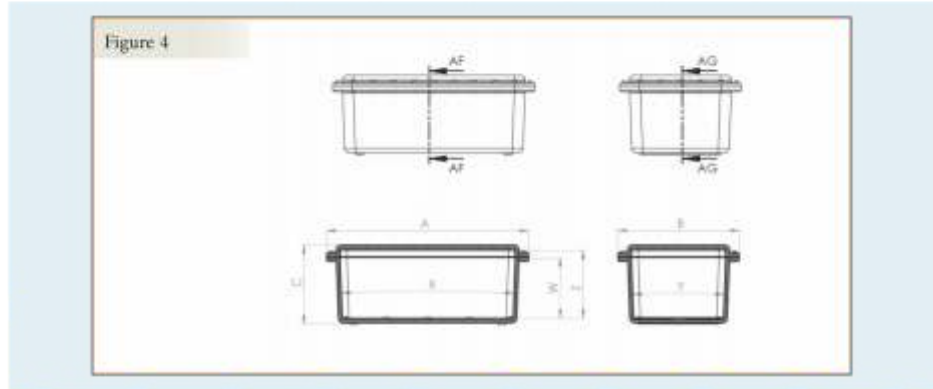
Execution/Sertifika Kodu	II 2 G Ex db IIB T6 Gb IP65 -20°C ≤ Tamb ≤ +40°C
Installation/Kullanım Sahası	Zone 1/2 - Zone 21/22
Protection Degree/Koruma Sınıfı	IP 65
Certificate Ref./Sertifika No	TSE 19ATEX0121 X
Rules of compl./Uyum Kuralları	EN 60079-0:2012+A11:2013, EN 60079-1:2014



## TECHNICAL DATA

Mechanical Characteristics		Electrical Characteristics	
Body/Gövde	Aluminum/Alüminyum	Cable Entry/Kablo Giriş:	1/2", 3/4", 2", 3"
Painting/Boya	Epoxy powder/Elektrostatik Boya	Screws/Çivata	External Stainless Steel / Paslanmaz Çelik

### Assembly



KODU	External Dimensions / Dış Ölçüler			Internal Dimensions / İç Ölçüler			
	A	B	C	X	Y	Z	W
EJB-01	210	165	140	140	95	100	85
EJB-02	255	190	130	195	135	80	60
EJB-03	300	225	165	235	160	135	105
EJB-04	495	355	235	385	245	180	140
EJB-05	540	335	220	430	230	170	145
EJB-06	680	420	330	560	320	260	225
EJB-07	780	475	330	655	350	260	230
EJB-08	1050	530	410	925	430	340	290

**EJB**  
series/serisi

## Distribution Board

Dagıtım Panoları



### INSTALLATION / KULLANIM

Hazardous Areas, Zone: 1/2 (Gases) - 21/22 (Dusts)  
Tehlikeli Sahalar: Bölge: 1/2 (Gazlar) - 21/22 (Toz)

### CLASSIFICATION/ SINIFLANDIRMA

Group II - Category 2G/2D  
Grup II - Kategori 2G/2D

**EJB.X**

Terminal Kutusu

Terminal Boxes



### UYGULAMA

EJB.X serisi terminal kutuları Grup II tehlikeli açık ya da kapalı alanlarda kullanılmaktadır.

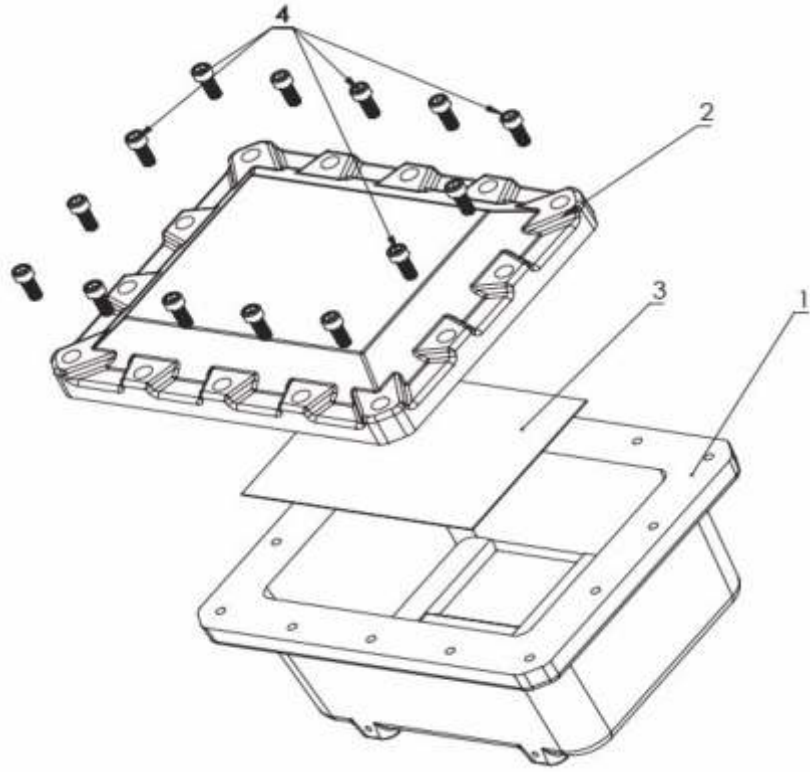
### APPLICATION

EJB.X series terminal boxes are used in Group II hazardous areas at indoor or outdoor services.

### EJB.X Series Boxes

#### ATEX 2014/34/EU

Execution/Sertifika Kodu	II 2 G Ex db IIB T6 Gb IP65 -20°C ≤ Tamb ≤ +40°C
Installation/Kullanım Sahası	Zone 1/2 - Zone 21/22
Protection Degree/Koruma Sınıfı	IP 66
Certificate Ref./Sertifika No	TSE 19ATEX0121 X
Rules of compl./Uyum Kuralları	EN 60079-0:2012+A11:2013, EN 60079-1:2014



**Application Sectors**



Oil refineries



Chemical and petrochemical plants



Anti light pollution



Offshore plants



Onshore plants



Perimeter lighting

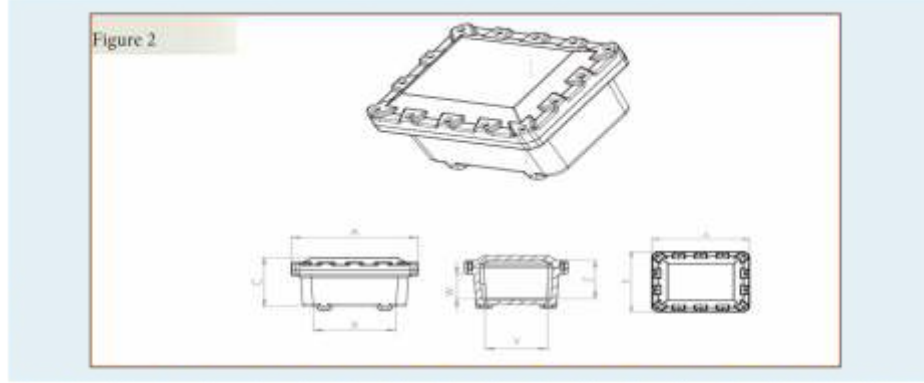


loading/unloading jetties

## TECHNICAL DATA

Mechanical Characteristics		Electrical Characteristics	
Body/Gövde	Aluminium/Alüminyum	Cable Entry/ Kablo Girişi	1/2", 3/4", 2", 3"
Painting/Boya	Epoxy powder/Elektrostatik Boya	Screws/Çivata	External Stainless Steel / Paslanmaz Çelik

### Assembly



KODU	External Dimensions / Dış Ölçüler			Internal Dimensions / İç Ölçüler			
	A	B	C	X	Y	Z	W
EJB-0	140	140	100	70	70	74	60
EJB-1	210	165	140	140	95	100	85
EJB-2	255	190	130	195	135	80	60
EJB-3	330	270	180	240	180	130	107
EJB-4	510	425	210	390	305	165	140
EJB-5	560	405	230	430	280	180	156
EJB-6	700	460	300	560	320	255	225
EJB-7	805	510	310	655	365	260	230
EJB-8	1080	540	420	940	440	350	300

**EJB**  
series/serisi

**Emergency Button**  
Acil Stop Butonu

**INSTALLATION / KULLANIM**

Hazardous Areas, Zone: 1/2 (Gases) - 21/22 (Dusts)  
Tehlikeli Sahalar, Bölge: 1/2 (Gazlar) - 21/22 (Toz)

**CLASSIFICATION/ SINIFLANDIRMA**

Group II - Category 2G/2D  
Grup II - Kategori 2G/2D



**EJB.EM**

Acil Stop Butonu  
Emergency Button



**UYGULAMA**

EJB.EM serisi acil stop butonu kutuları Grup II tehlikeli açık ya da kapalı alanlarda kullanılmaktadır.

**APPLICATION**

EJB.EM series emergency buttons are used in Group II hazardous areas at indoor or outdoor services.

**ATEX (2014/34/EU)**

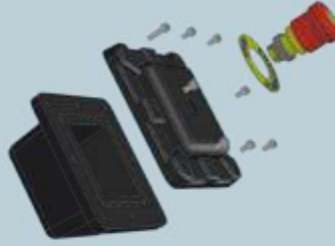
Execution/Sertifika Kodu	II 2G Ex db IIB T6 Gb IP 65 -20°C ≤ Tamb ≤ +40°C
Installation/Kullanım Sahası	Zone 1/2 - Zone 21/22
Protection Degree/Koruma Sınıfı	IP 65
Certificate Ref./Sertifika No	TSE 19ATEX0121 X
Rules of compl./Uyum Kuralları	EN 60079-0:2012+A11:2013, EN 60079-7:2015

Mechanical Characteristics		Electrical Characteristics	
Body/Kabuk	Aluminum/Alüminyum	Cable Entry/ Kablo Girişi	1/2" , 3/4"
Painting/Boya	Epoxy powder/Elektrostatik Boya	Screws/Çiviler	External Stainless Steel / Paslanmaz Çelik



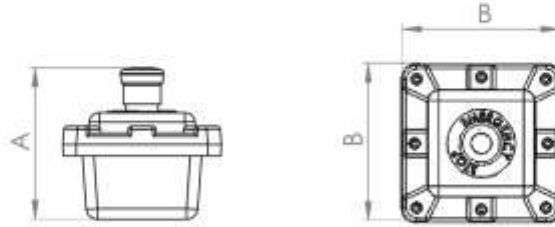
## Assembly

Figure 1



## Assembly

Figure 2



CODE/Kodu	A	B	WEIGHT/Ağırlık (k.g)	DETAIL/Detay
EJB.EM	132 mm	140 mm	2,40 KG	Figure 2

**EJB**  
series/serisi

**Elektrik Anahtarı**  
Elektrik Switches

**INSTALLATION / KULLANIM**  
Hazardous Areas, Zone: 1/2 (Gases) - 21/22 (Dusts)  
Tehlikeli Sahalar, Bölge: 1/2 (Gazlar) - 21/22 (Toz)

**CLASSIFICATION/ SINIFLANDIRMA**  
Group II - Category 2G/2D  
Grup II - Kategori 2G/2D



**EJB.ES**

Elektrik Anahtarı  
Electric Switches



#### UYGULAMA

EJB.ES Serisi elektrik anahtarları Grup II tehlikeli açık ya da kapalı alanlarda kullanılmaktadır.

#### APPLICATION

EJB.ES series elektrik switches are used in Group II hazardous areas at indoor or outdoor services.

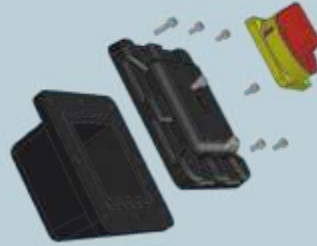
#### ATEX 2014/34/EU

Execution/Sertifika Kodu	II 2G Ex db IIB T6 Gb IP 65 -20°C ≤ Tamb ≤ +40°C
Installation/Kullanım Sahası	Zone 1/2 - Zone 21/22
Protection Degree/Koruma Sınıfı	IP 65
Certificate Ref./Sertifika No	TSE 19ATEX0121 X
Rules of compl./Uyum Kuralları	EN 60079-0:2012+A11:2013, EN 60079-7:2015

Mechanical Characteristics		Electrical Characteristics	
Body/Gövde	Alüminyum/Alüminyum	Cable Entry/ Kablo Girişi	1/2" , 3/4"
Painting/Boya	Epoxy powder/Elektrostatik Boya	Screws/Çiviler	External Stainless Steel / Paslanmaz Çelik

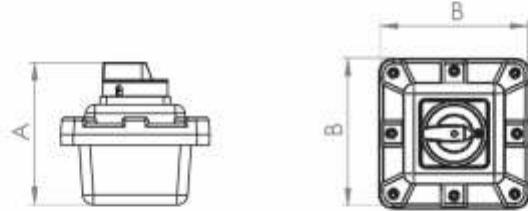
### Assembly

Figure 1



### Assembly

Figure 2



CODE/Kodu	A	B	WEIGHT/Ağırlık (k.g)	DETAIL/Detay
EIB-ES	136 mm	140 mm	2,40 KG	Figure 2

## FS-Q SOCKET and PLUGS

series/serisi Fiş Prizler



### INSTALLATION / KULLANIM

Hazardous Areas, Zone 1/2 (Gases) - 21/22 (Dusts)  
Tehlikeli Sahalar, Bölge: 1/2 (Gazlar) - 21/22 (Toz)

### CLASSIFICATION/ SINIFLANDIRMA

Group II - Category 2G/2D  
Grup II - Kategori 2G/2D

FS-Q  
Socket and Plugs  
Fiş Priz



### UYGULAMA

FS-Q serisi Fiş-Prizler Grup II tehlikeli açık ya da kapalı alanlarda kullanılmaktadır.

### APPLICATION

FS-Q series socket and plugs are used in Group II hazardous areas at indoor or outdoor services.

### FS-Q Series Socket and Boxes

#### ATEX 2014/34/EU

Execution/Sertifika Kodu	II 2G Ex d IIB T5 Gb IP65 -20°C ≤ Tamb ≤ +55°C
Installation/Kullanım Sahası	Zone 1/2 - Zone 21/22
Protection Degree/Koruma Sınıfı	IP 65
Certificate Ref./Sertifika No	TSE 19ATEX0122 X
Rules of compl./Uyum Kuralları	EN 60079-0:2012/A11:2013, EN 60079-1: 2014

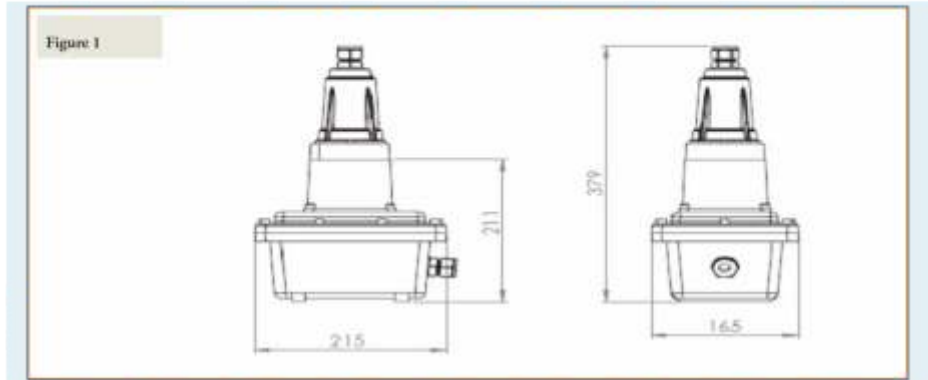
### Assembly



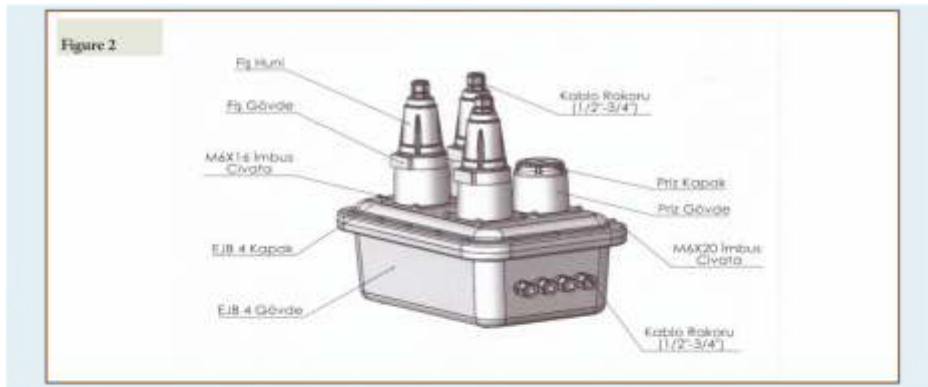
Mechanical Characteristics		Electrical Characteristics	
Body/Sevde	Aluminium/Alüminyum	Internal Wiring	High Temperature Resistant Silicon Cable/ Silikon Kablo
Painting/Boya	Epoxy powder/Elektrostatik Boya		
Cable Entry/ Kablo Giriş	2x1/2"	Screws/Çivata	External Stainless Steel / Paslanmaz Çelik

Socket/Fiş	Plug/Priz	Poles/Kutup	Voltage 50-60	Current/Akım	WEIGHT/Ağırlık (KG)
FSQ-16	FSQP-16	2P+T(PE)	220V/250V	16A-25A	5,1
FSQ-26	FSQP-26	3P+T(PE)	380V/415V	16A-25A	5,1
FSQ-36	FSQP-36	3P+T+N(PE)	380V/415V	16A-25A	5,1
FSQ-17	FSQP-17	2P+T(PE)	220V/250V	32A	5,1
FSQ-27	FSQP-27	3P+T(PE)	380V/415V	32A	5,1
FSQ-37	FSQP-37	3P+T+N(PE)	380V/415V	32A	5,1

## TECHNICAL DATA



CODE/Kodu	A	B	C	WEIGHT/Ağırlık (k.g)	DETAIL/Detail
F5-Q	210 mm	165 mm	140 mm	6,5	Figure 1



CODE/Kodu	A	B	WEIGHT/Ağırlık (K.G)	DETAIL/Detail
F5-Q (4'lü Kombinasyon)	495 mm	355 mm	-	Figure 2

# ARTEMİS SERİSİ

## SENSÖRLER



Temperature Measure Sensor  
Isı Ölçüm Sensörü

### INSTALLATION / KULLANIM

Hazardous Areas, Zone: 1/2 (Gases) - 21/22 (Dusts)  
Tehlikeli Sahalar, Bölge: 1/2 (Gazlar) - 21/22 (Toz)

### CLASSIFICATION/ SINIFLANDIRMA

Group II - Category 2G/2D  
Grup II - Kategori 2G/2D



### UYGULAMA

ARTEMİS serisi Isı Ölçüm Sensörü Grup II tehlikeli açık ya da kapalı alanlarda kullanılmaktadır.

### APPLICATION

ARTEMİS Temperature Measure Sensor are used in Group II hazardous areas at indoor or outdoor services.

### ARTEMİS Series Sensor

ATEX 2014/34/EU.

Execution/Sertifika Kodu	II 2G Ex db IIC T6 Gb, IP66 -20°C ≤ Tamb ≤ +55°C	EN 60079-0:2012+A11:2013, EN 60079-1:2014
Installation/Kullanım Sahası	Zone 1/2 - Zone 21/22	
Protection Degree/Koruma Sınıfı	IP 66	
Certificate Ref./Sertifika No	TSE 19ATEX0137 X	

### Mechanical Characteristics

Body/Gövde	Aluminium/Alüminyum	Internal Wiring	High Temperature Resistant Silicon Cable/ Silikon Kablo
Painting/Boya	Epoxy powder/Elektrostatik Boya	Prob/Prob	Brass/ Pirinç; Muhafaza
Cable Entry/ Kablo Girişi	3x1/2"	Glass/Cam	Temperated Glass / Tempelemiş Cam

**Application sectors:**



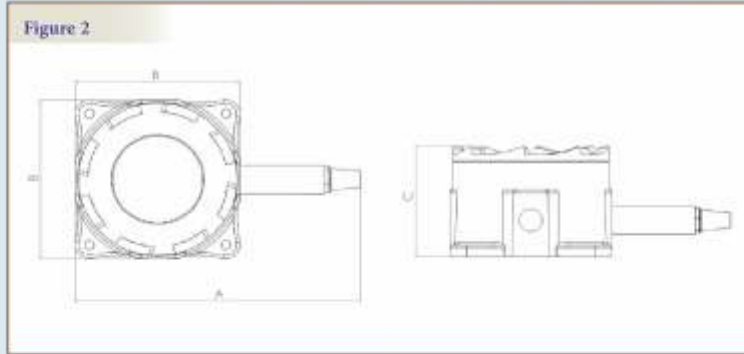
*Assembly*

Figure 1



Kod CODE	Güç POWER	Çalışma Aralığı RANGE	Gazlar için sıcaklık CABLE ENTRY SIZE
<b>ARTEMIS SERIES TECHNICAL DATA</b>			
Artemis	24V	-55°C ≤ +125°C	max: 3X1/2"

Figure 2



CODE/Kodu	A	B	C	WEIGHT/Ağırlık (K.G)	DETAIL/Detail
ARTEMIS	245 mm	140 mm	95 mm	2.50 KG	Figure 2



# ARTEMİS SERİSİ

## SENSÖRLER



Humidity Measure Sensor  
Nem Ölçüm Sensörü

### INSTALLATION / KULLANIM

Hazardous Areas, Zone: 1/2 (Gases) - 21/22 (Dusts)  
Tehlikeli Sahalar, Bölge: 1/2 (Gazlar) - 21/22 (Toz)

### CLASSIFICATION/ SİNYFLANDIRMA

Group II - Category 2G/2D  
Grup II - Kategori 2G/2D



### UYGULAMA

ARTEMİS serisi Nem Ölçüm Sensörü Grup II tehlikeli açık ya da kapalı alanlarda kullanılmaktadır.

### APPLICATION

ARTEMİS Series Humidity Measure Sensor are used in Group II hazardous areas at indoor or outdoor services.

### ARTEMİS Series Sensor

ATEX 2014/34/EU.

Execution/Sertifika Kodu	II 2G Ex db IIC T6 Gb, IP66 -20°C ≤ Tamb ≤ +55°C	EN 60079-0:2012+A11:2013, EN 60079-1:2014
Installation/Kullanım Sahası	Zone 1/2 - Zone 21/22	
Protection Degree/Koruma Sınıfı	IP 66	
Certificate Ref./Sertifika No	TSE 19ATEX0137 X	

### Mechanical Characteristics

Body/Gövde	Aluminium/Alüminyum	Internal Wiring	High Temperature Resistant Silicon Cable/ Silikon Kablo
Painting/Boya	Epoxy powder/Elektrostatik Boya	Probe/Proba	Brass/ Pirinç Muhafaza
Cable Entry/Kablo Giriş	3x1/2"	Glass/Cam	Temperatures Glass / Termoplenmiş Cam

**Application sectors:**



Oil refineries



Chemical and petrochemical plants



Anti light pollution



Offshore plants



Onshore plants



Perimeter lighting



loading/unloading jetties

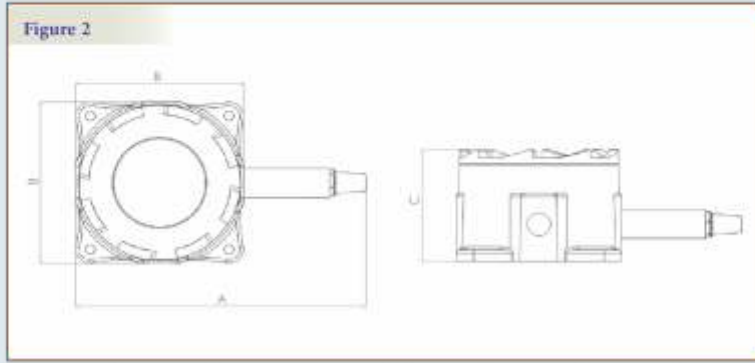
**Assembly**

Figure 1



Kod CODE	Güç POWER	Çalışma Aralığı RANGE	Gazlar için sıcaklık CABLE ENTRY SIZE
<b>ARTEMIS SERIES TECHNICAL DATA</b>			
Artemis	24V	R1 0-100	max 3X1/2"

Figure 2



CODE/Kodu	A	B	C	WEIGHT/Ağırlık (K.G)	DETAIL/Detail
ARTEMIS	245 mm	140 mm	95 mm	2.50 KG	Figure 2

# ARTEMİS SERİSİ SENSÖRLER



Water Pressure Sensor  
Su Basma Sensörü

#### INSTALLATION / KULLANIM

Hazardous Areas, Zone: 1/2 (Gases) - 21/22 (Dusts)  
Tehlikeli Sahalar, Bölge: 1/2 (Gazlar) - 21/22 (Toz)

#### CLASSIFICATION/ SINIFLANDIRMA

Group II - Category 2G/2D  
Grup II - Kategori 2G/2D



#### UYGULAMA

ARTEMİS serisi Su Basma Sensörü Grup II tehlikeli açık ya da kapalı alanlarda kullanılmaktadır.

#### APPLICATION

ARTEMİS Series Water Pressure Sensor are used in Group II hazardous areas at indoor or outdoor services.

### ARTEMİS Series Sensor

#### ATEX 2014/34/EU.

Execution/Sertifika Kodu	II 2G Ex db IIC T6 Gb, IP66 -20°C ≤ Tamb ≤ +55°C	EN 60079-0:2012+A11:2013, EN 60079-1:2014
Installation/Kullanım Sahası	Zone 1/2 - Zone 21/22	
Protection Degree/Koruma Sınıfı	IP 66	
Certificate Ref./Sertifika No	TSE 19ATEX0137 X	

#### Mechanical Characteristics

Body/Gövde	Aluminium/Alüminyum	Internal Wiring	High Temperature Resistant Silicon Cable/ Silikon Kablo
Painting/Boya	Epoxy powder/Elektrostatik Boya	Prob/Prob	Base/ Piriç Muhafaza
Cable Entry/ Kablo Girişi	3x1/2"	Glass/Cam	Temperatures Glass / Termoplenmiş Cam

**Application sectors:**



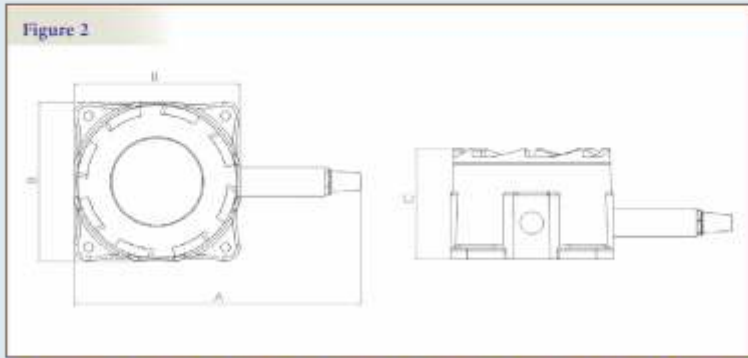
**Assembly**

Figure 1



Kod CODE	Güç POWER	Çalışma Aralığı RANGE	Gazler için sıcaklık CABLE ENTRY SIZE
<b>ARTEMIS SERIES TECHNICAL DATA</b>			
Artemis	24V	4-20mA	max 3X1/2"

Figure 2



CODE/Kodu	A	B	C	WEIGHT/Ağırlık (K.G)	DETAIL/Detail
ARTEMİS	245 mm	140 mm	95 mm	2.50 KG	Figure 2